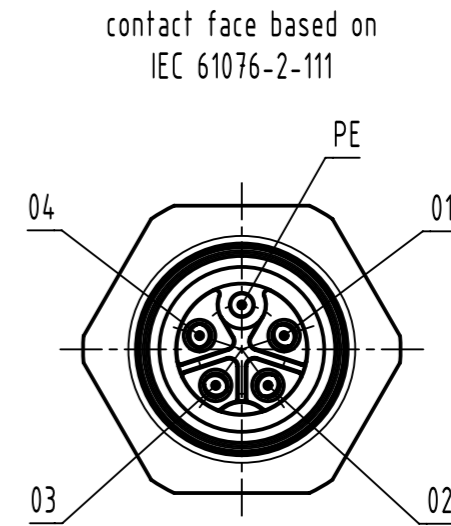
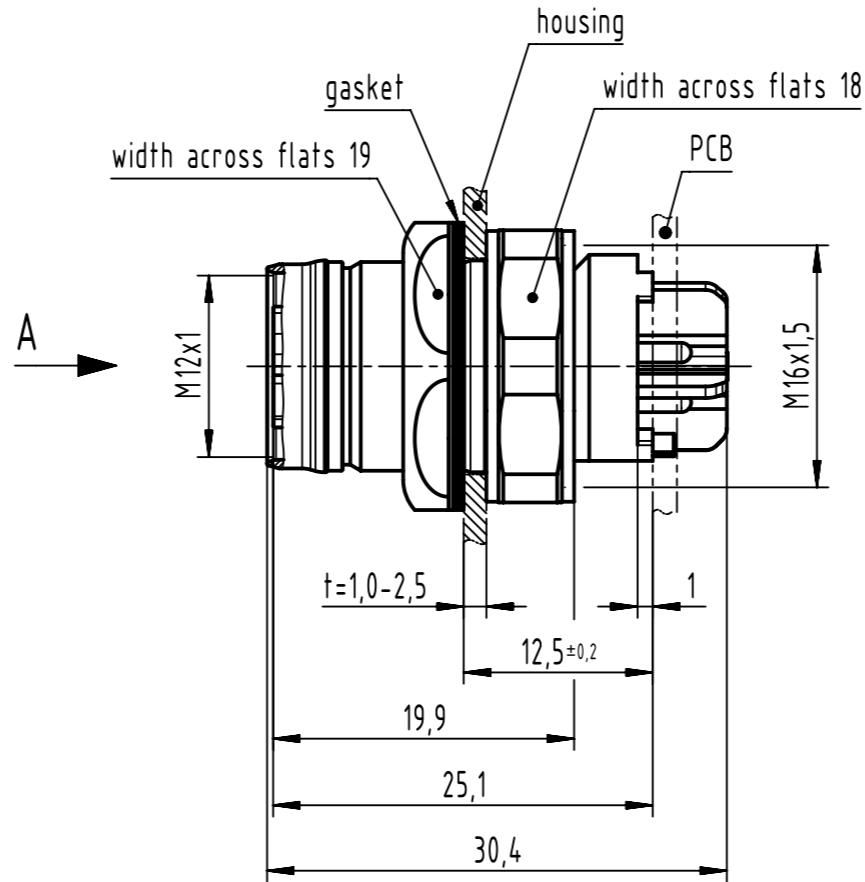
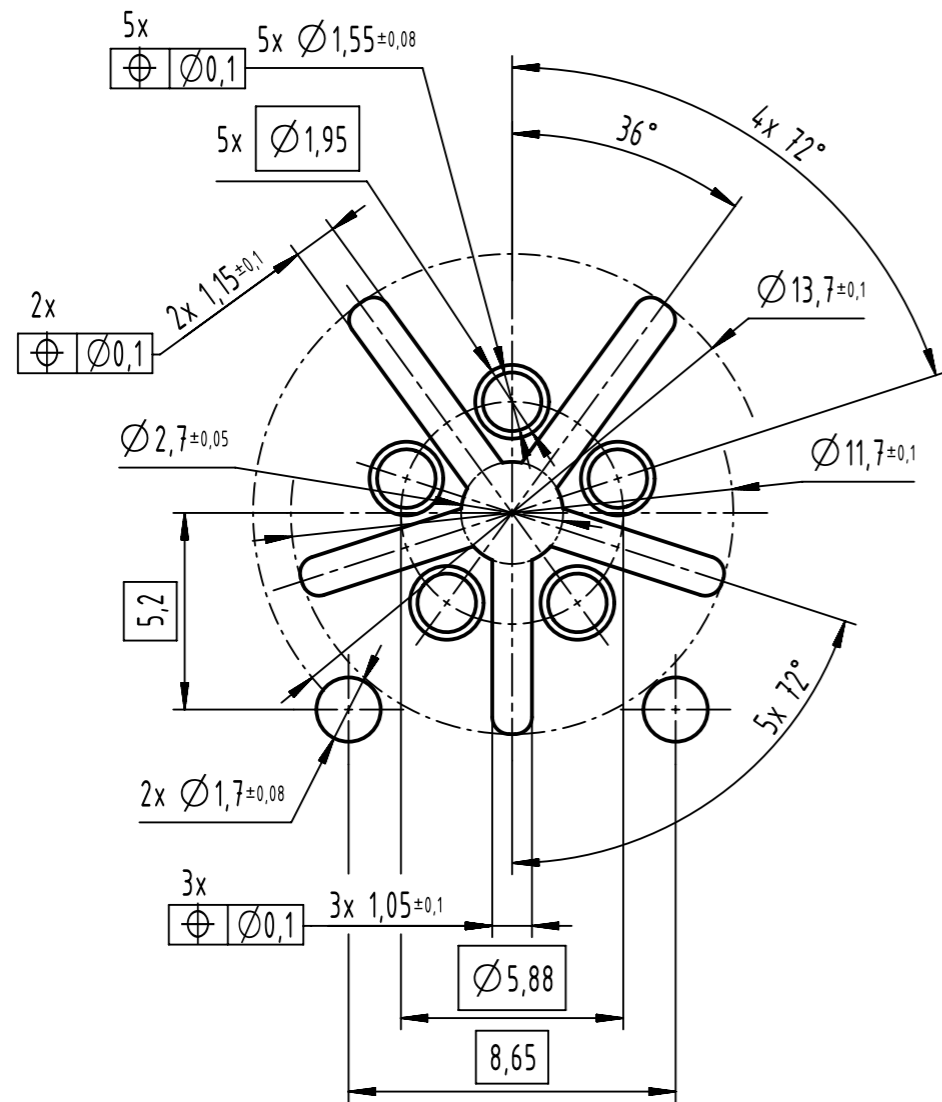
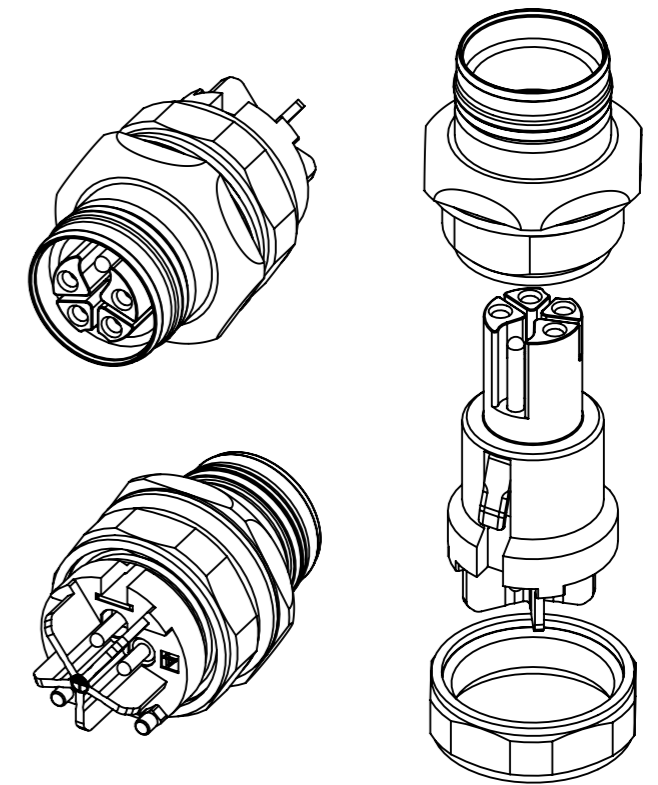
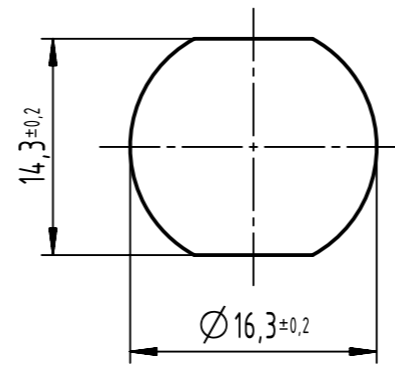


recommended PCB-layout
A (5:1)

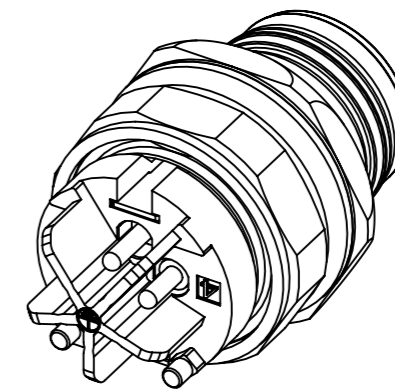
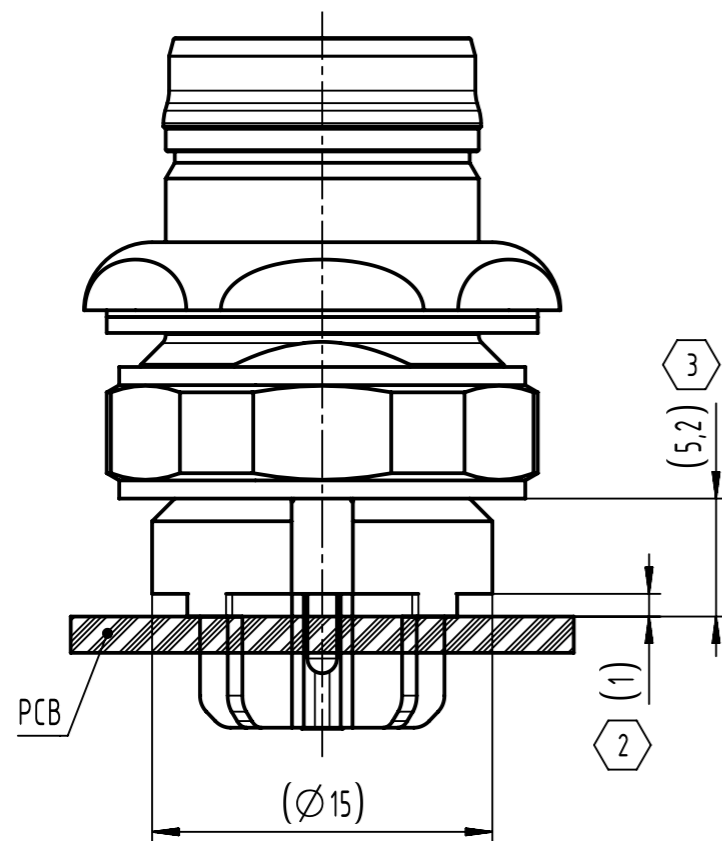
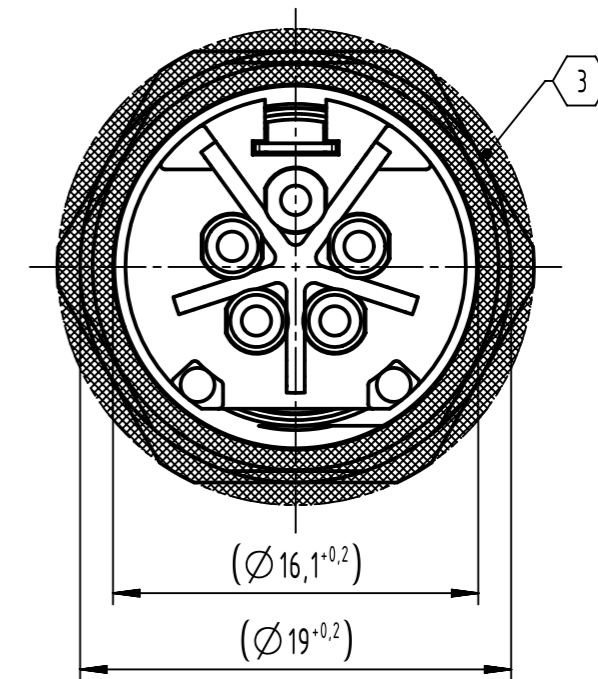
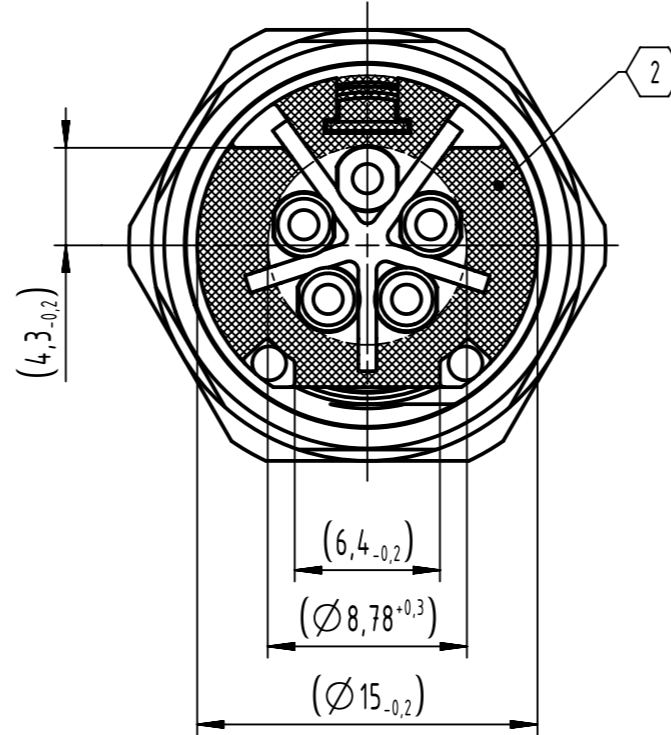
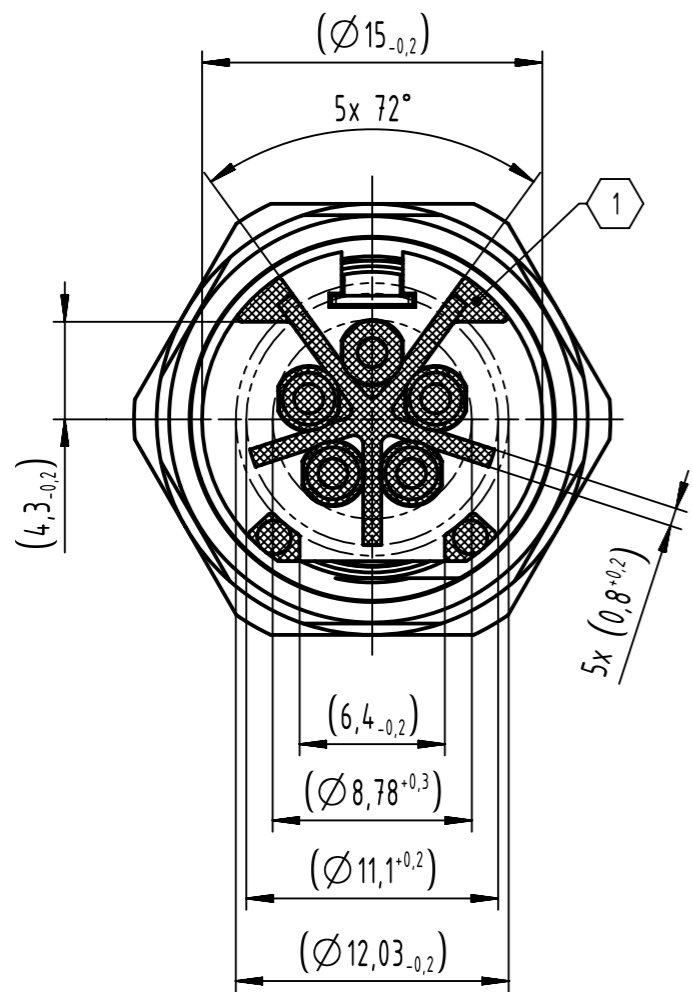


panel cut out



- recommended PCB: 1.6mm
- recommended torque for the lock nut: 2.0Nm
- 1 pcs. single package

	All Dimensions in mm Original Size DIN A3		Scale 2:1	Free size tol.		Ref.
	All rights reserved		Created by HASSE	Inspected by FRIESENH	Standardisation	Date 2021-11-05
Department EL PD		Title M12-PCB-THR-2PC-5P-KCOD-F-STR-SHLD			State Final Release	
HARTING D-32339 Espelkamp		Type TB	Number 21033092531		Doc-Key / ECM-Nr. 100725550/UGD/000/E 500000205391	Page 1/2



- ① the area where no component on the PCB is allowed
- ② the area where components of max. 0.9mm height are allowed on the PCB
- ③ starting from $\varnothing 16.1^{+0.2}$, the maximum height of the components on the PCB is 4mm

	All rights reserved Department EL PD	Created by HASSE	Inspected by FRIESENH	Standardisation	Date 2021-11-05	State Final Release	Ref. Sub.
	HARTING D-32339 Espelkamp	Title M12-PCB-THR-2PC-5P-KCOD-F-STR-SHLD		Doc-Key / ECM-Nr. 100725550/UGD/000/E 500000205391		Rev. E	Page 2/2